



# TME-M860

## 8.0-INCH TOUCH PANEL WIDE VGA MONITOR

- OWNER'S MANUAL  
Please read before using this equipment.
- BEDIENUNGSANLEITUNG  
Lesen Sie diese Bedienungsanleitung bitte vor Gebrauch des Gerätes.
- MODE D'EMPLOI  
Veuillez lire avant d'utiliser cet appareil.
- MANUAL DE OPERACIÓN  
Léalo antes de utilizar este equipo.
- ISTRUZIONI PER L'USO  
Si prega di leggere prima di utilizzare l'attrezzatura.
- ANVÄNDARHANDLEDNING  
Innan du använder utrustningen bör du läsa igenom denna användarhandledning.
- 使用手冊  
請在使用本設備之前先閱讀使用手冊。

ALPINE ELECTRONICS MARKETING, INC.  
1-1-8 Nishi Gotanda,  
Shinagawa-ku,  
Tokyo 141-0031, Japan  
Phone 03-5496-8231

ALPINE ELECTRONICS OF AMERICA, INC.  
19145 Gramercy Place, Torrance,  
California 90501, U.S.A.  
Phone 1-800-ALPINE-1 (1-800-257-4631)

ALPINE ELECTRONICS OF CANADA, INC.  
777 Supertest Road, Toronto,  
Ontario M3J 2M9, Canada  
Phone 1-800-ALPINE-1 (1-800-257-4631)

ALPINE ELECTRONICS OF AUSTRALIA PTY. LTD.  
161-165 Princes Highway, Hallam  
Victoria 3803, Australia  
Phone 03-8787-1200

ALPINE ELECTRONICS GmbH  
Frankfurter Ring 117,  
80807 München, Germany  
Phone 089-32 42 640

ALPINE ELECTRONICS OF U.K. LTD.  
Alpine House  
Fletchamstead Highway, Coventry CV4 9TW, U.K.  
Phone 0870-33 33 763

ALPINE ELECTRONICS FRANCE S.A.R.L.  
(RCS PONTOISE B 338 101 280)  
98, Rue de la Belle Etoile, Z.I. Paris Nord II,  
B.P. 50016, 95945 Roissy Charles de Gaulle  
Cedex, France  
Phone 01-48638989

ALPINE ITALIA S.p.A.  
Viale C. Colombo 8, 20090 Trezzano  
Sul Naviglio (MI), Italy  
Phone 02-484781

ALPINE ELECTRONICS DE ESPAÑA, S.A.  
Portal de Gamarra 36, Pabellón, 32  
01013 Vitoria (Alava)-APDO 133, Spain  
Phone 945-283588

ALPINE ELECTRONICS (BENELUX) GmbH  
Leuvensesteenweg 510-B6,  
1930 Zaventem, Belgium  
Phone 02-725-13 15

EN

DE

FR

ES

IT

SE

CT





# Appendix

Product Information Card

Produkt-Informationskarte

Carte d'informations sur le produit

Tarjeta de información del producto

## English

Filling in this Product Information Card is voluntary. If you fill in this card and send it to Alpine, your data will be tabulated into reference data for future Alpine product development. In addition, in the future you may receive information about new products or Survey Mail requesting additional opinions about Alpine products or services. If you agree to the above term, please sign your name in the indicated space and return the card. Any additional comments or inquiries may be sent to : Person in charge of Customer Service department Alpine Electronics (Europe) GmbH. Frankfurtur Ring 117, 80807 München, Germany Phone: +49-(0)89-32 42 640

## Deutsch

Das Ausfüllen dieser Produktinformations-Karte ist freiwillig. Sollten Sie diese Karte vervollständigen, so werden die Daten für zukünftige Produktentwicklungen von Alpine als Referenzdaten herangezogen. Ebenso können Sie in der Zukunft Informationen über neue Alpine Produkte erhalten oder uns auch Ihre Meinung über Alpine Produkte und Dienstleistungen im Rahmen von Kunden-Befragungen mitteilen. Stimmten Sie dem Kontakt durch Alpine zu, so würden wir Sie bitten, in dem dafür vorgesehenen Feld zu unterschreiben und die Karte kostenfrei an uns zurückzuschicken. Zusätzliche Kommentare und Meinungen können Sie gerne an den zuständigen Kontakt im Kundendienst Alpine Electronics (Europe) GmbH senden. Frankfurtur Ring 117, 80807 München, Germany Phone: 089-32 42 640

## Français

En remplissant volontairement cette fiche, et en l'envoyant à Alpine, vous acceptez que ces informations soient utilisées par Alpine, dans le cadre de développement de nouveaux produits. Par ailleurs, vous autorisez Alpine à solliciter votre opinion par mailing sur de nouveaux produits ou services. Si vous acceptez les termes ci-dessus, veuillez signer cette carte à l'endroit indiqué, et nous la retourner. Tout autre commentaire ou demande doit être adressé à l'attention de: Responsable du service consommateur Alpine Electronics (Europe) GmbH. Frankfurtur Ring 117, 80807 München, Germany Phone: +49-(0)89-32 42 640

## Español

El envío de la información solicitada es voluntario. Si Vd. nos la remite, será utilizada de modo confidencial para el desarrollo de futuros productos Alpine. Si Vd. desea recibir información sobre nuevos productos de nuestra gama, indique su nombre en el espacio designado y remitanos la tarjeta. Cualquier solicitud adicional puede ser enviada a : Persona responsable del Servicio de Atención al Cliente de Alpine Electronics (Europe) GmbH. Frankfurtur Ring 117, 80807 München, Germany Phone: +49-(0)89-32 42 640

### Q1. PRODUCT PURCHASED

1. Cassette Player
2. CD Player
3. MD Player
4. DVD Player
5. CD Changer
6. Amplifier
7. Speaker
8. Subwoofer
9. Monitor Controller
10. Video Monitor
11. Navigation
12. Processor/Equalizer
13. CD/Video CD Changer
14. Other \_\_\_\_\_

### Q2. MODEL NUMBER: \_\_\_\_\_

### Q3. DATE OF PURCHASE:

Month: \_\_\_\_\_ Year: \_\_\_\_\_

### Q4. If navigation system, which monitor?

1. Alpine → (Model No.) \_\_\_\_\_
2. Other → (Brand Name) \_\_\_\_\_

### Q5. STORE TYPE WHERE PURCHASED:

1. Car Audio Specialist
2. Audio/Video Store
3. Electronics/Appliance Store
4. Car Accessories Shop
5. Other \_\_\_\_\_

### Q6. Type of vehicle in which this unit is installed:

Make: \_\_\_\_\_ Model: \_\_\_\_\_  
Purchased Model: \_\_\_\_\_  
Year: \_\_\_\_\_ Year: \_\_\_\_\_

### Q7. How was this vehicle purchased?

1. Purchase
2. Lease

### Q8. Purpose of buying this unit?

1. Addition
2. Replacement

↓  
• Previous brand replaced?

1. Factory installed
2. Alpine
3. Other → (Brand Name) \_\_\_\_\_

### Q9. Have you purchased Alpine products before?

1. First time
2. Two or More times

### Q10. When you purchased this Alpine unit, did you compare it with other brand?

1. Yes → (Brand Name) \_\_\_\_\_
2. No

### Q11. GENDER

1. Male
2. Female

### Q12. AGE \_\_\_\_\_

### Q13. MARITAL STATUS

1. Single
2. Married

### Q14. OCCUPATION

1. Company Owner/Self-employed/  
Freelance
2. Manager
3. Company Employee
4. Civil Servant
5. Educator
6. Student
7. Other \_\_\_\_\_

### Q15. Comments \_\_\_\_\_

### Q1. gekauftes Gerät

1. Kassetten-Spieler
2. CD-Spieler
3. MD-Spieler
4. DVD-Spieler
5. CD-Wechsler
6. Verstärker
7. Lautsprecher
8. Subwoofer
9. Monitor-Controller
10. Video-Monitor
11. Navigationssystem
12. Prozessor/Equalizer
13. CD/Video-CD-Wechsler
14. andere \_\_\_\_\_

### Q2. Modellnummer: \_\_\_\_\_

### Q3. Kaufdatum:

Monat: \_\_\_\_\_ Jahr: \_\_\_\_\_

### Q4. Falls Navigationssystem: Welcher Monitor?

1. Alpine → (Modellnr.) \_\_\_\_\_
2. Anderer Hersteller →  
(Herstellername) \_\_\_\_\_

### Q5. Art des Geschäfts, in dem Sie das Gerät gekauft haben:

1. Spezialist für Auto-Audioanlagen
2. Audio/Video-Geschäft
3. Elektro-Geschäft
4. Autozubehör-Geschäft
5. Anderer Hersteller \_\_\_\_\_

### Q6. Art des Fahrzeugs, in das das Gerät installiert wurde:

Marke: \_\_\_\_\_ Modell: \_\_\_\_\_  
gekauft im \_\_\_\_\_  
Jahr: \_\_\_\_\_ Baujahr: \_\_\_\_\_

### Q7. Wie haben Sie das Fahrzeug gekauft?

1. Kauf
2. Leasing

### Q8. Zweck des Kaufs dieses Geräts?

1. Zusätzlich
2. Austausch

↓  
• Marke des ausgetauschten Geräts?

1. Serienmäßige Ausstattung
2. Alpine
3. Anderer Hersteller →  
(Herstellername) \_\_\_\_\_

### Q9. War dies das erste Mal, dass Sie ein Alpine-Gerät gekauft haben?

1. Erstes Mal
2. Zweites Mal oder öfter

### Q10. Haben Sie dieses Alpine-Gerät vor dem Kauf mit Geräten anderer Hersteller verglichen?

1. Ja → (Herstellername) \_\_\_\_\_
2. Nein

### Q11. Geschlecht

1. Männlich
2. Weiblich

### Q12. Alter \_\_\_\_\_

### Q13. Familienstand

1. Ledig
2. Verheiratet

### Q14. Beruf

1. Selbständige/Firmeninhaber/freiberuflich  
Tätige
2. Leitende Angestellte
3. Sonstige Angestellte
4. Beamte
5. Schulbildung
6. Studium
7. Sonstige \_\_\_\_\_

### Q15. Kommentar: \_\_\_\_\_

### Q1. PRODUIT ACHETE

1. Lecteur de cassette
2. Lecteur de CD
3. Lecteur MD
4. Lecteur DVD
5. Changeur de CD
6. Amplificateur
7. Haut-parleur
8. Haut-parleur de graves
9. Station Multimedia
10. Moniteur Vidéo
11. Navigation
12. Processeur/Egaliseur
13. Changeur de CD/CD Vidéo
14. Autre \_\_\_\_\_

### Q2. NUMERO DU MODELE: \_\_\_\_\_

### Q3. DATE D'ACHAT:

Mois: \_\_\_\_\_ Année: \_\_\_\_\_

### Q4. Si c'est un système de navigation, quel moniteur?

1. Alpine → (N° du modèle) \_\_\_\_\_
2. Autre → (Marque) \_\_\_\_\_

### Q5. TYPE DE MAGASIN OU VOUS AVEZ ACHETE LE PRODUIT:

1. Spécialiste autoradio
2. Magasin audio/vidéo
3. Magasin d'électronique/appareils
4. Magasin d'accessoires automobiles
5. Autre \_\_\_\_\_

### Q6. Type de véhicule dans lequel cet appareil est installé:

Marque: \_\_\_\_\_ Modèle: \_\_\_\_\_  
Année \_\_\_\_\_ Année du  
d'achat: \_\_\_\_\_ modèle: \_\_\_\_\_

### Q7. Comment avez-vous acheté ce véhicule?

1. Achat
2. Location-bail

### Q8. Pourquoi avez-vous acheté cet appareil?

1. Addition
2. Remplacement

↓  
• Marque précédente remplacée?

1. Installée en usine
2. Alpine
3. Autre → (Marque) \_\_\_\_\_

### Q9. Aviez-vous déjà acheté des produits Alpine?

1. Première fois
2. Deux fois ou plus

### Q10. Lorsque vous avez acheté ce produit Alpine, l'avez-vous comparé à une autre marque?

1. Oui → (Marque) \_\_\_\_\_
2. Non

### Q11. SEXE

1. Masculin
2. Féminin

### Q12. AGE \_\_\_\_\_

### Q13. SITUATION DE FAMILLE

1. Célibataire
2. Marié

### Q14. PROFESSION

1. Entrepreneur/Travailleur indépendant/  
Free-lance
2. Directeur
3. Employé de bureau
4. Fonctionnaire
5. Educateur
6. Etudiant
7. Autre \_\_\_\_\_

### Q15. Commentaires \_\_\_\_\_

### Q1. Producto Comprado

1. Radio/Cassette
2. Radio/CD
3. Reproductor de MD
4. Reproductor de DVD
5. Cambiador de CD
6. Amplificador
7. Altavoz
8. Subwoofer
9. Monitor de control
10. Monitor de video
11. Sistema de navegación
12. Procesador/Equalizador
13. Cambiador de CD/Video CD
14. Otros \_\_\_\_\_

### Q2. Número de modelo: \_\_\_\_\_

### Q3. Fecha de compra:

Mes: \_\_\_\_\_ Año: \_\_\_\_\_

### Q4. En caso de sistema de navegación, ¿qué monitor?

1. Alpine → (N° de modelo) \_\_\_\_\_
2. Otros → (Nombre de marca) \_\_\_\_\_

### Q5. TIPO DE TIENDA DONDE COMPRÓ:

1. Especialista en audio de automóviles
2. Tienda de audio/video
3. Tienda de electrónica/electrodomésticos
4. Tienda de accesorios automovilísticos
5. Otros \_\_\_\_\_

### Q6. Tipo de vehículo en que la unidad está instalada:

Marca: \_\_\_\_\_ Modelo: \_\_\_\_\_  
Año de compra: \_\_\_\_\_ Año del  
compra: \_\_\_\_\_ modelo: \_\_\_\_\_

### Q7. ¿Cómo fue comprado este vehículo?

1. compra
2. Leasing

### Q8. ¿Propósito de comprar esta unidad?

1. Mejora del sistema
2. Sustitución

↓  
• ¿Sustitución de marca anterior?

1. Instalado en la fábrica
2. Alpine
3. Otros → (Nombre de marca) \_\_\_\_\_

### Q9. ¿Ha comprado Vd. productos Alpine anteriormente?

1. Primera vez
2. Dos o más veces

### Q10. Cuando usted compró esta unidad Alpine, ¿la comparó con otros fabricantes?

1. Sí → (Nombre de marca) \_\_\_\_\_
2. No

### Q11. SEXO

1. Masculino
2. Femenino

### Q12. Edad \_\_\_\_\_

### Q13. Estado civil

1. Soltero
2. Casado

### Q14. Ocupación

1. Propietario de empresa/Autónomo/  
Profesional independiente
2. Gerente
3. Empleado de compañía
4. Empleado público
5. Profesor
6. Estudiante
7. Otros \_\_\_\_\_

### Q15. Comentarios \_\_\_\_\_

# Scheda informazioni prodotto

## Italiano

La compilazione di questa formulario è volontaria. Se compilate questo formulario, ritornandolo ad Alpine, i Vostrì dati saranno raccolti in un file di riferimento per lo sviluppo dei nuovi prodotti Alpine. In aggiunta Voi potrete ricevere in futuro informazioni riguardanti i nuovi prodotti o la richiesta di una Vostra opinione circa i prodotti o i servizi forniti da Alpine. Se siete d'accordo, Vi preghiamo di ritornarci il formulario completato negli appositi spazi con i Vostrì dati. In caso desideriate fornire altri commenti o richiedere informazioni aggiuntive, potete indirizzare il tutto a : Responsabile dipartimento Servizio Clienti Alpine Electronics (Europe) GmbH.  
Frankfurter Ring 117, 80807 München, Germany  
Phone: +49-(0)89-32 42 640

### Q1. PRODOTTO ACQUISTATO

1. Lettore di cassette
2. Lettore CD
3. Lettore MD
4. Lettore DVD
5. CD Changer
6. Amplificatore
7. Altoparlante
8. Subwoofer
9. Radio Monitor
10. Monitor video
11. Sistema di navigazione
12. Processore/equalizzatore
13. Cambia CD/Video CD
14. Altro \_\_\_\_\_

### Q2. NUMERO MODELLO: \_\_\_\_\_

### Q3. DATA DI ACQUISTO:

Mese: \_\_\_\_\_ Anno: \_\_\_\_\_

### Q4. In caso di acquisto di un sistema di navigazione, quale monitor possiede?

1. Alpine → (No. Modello) \_\_\_\_\_
2. Altro → Nome marca \_\_\_\_\_

### Q5. NEGOZIO DI ACQUISTO:

1. Specialista Car Stereo
2. Negozio di audio/video
3. Negozio di elettronica/elettrodomestici
4. Negozio accessori automobile
5. Altro \_\_\_\_\_

### Q6. Tipo di veicolo posseduto:

Marca: \_\_\_\_\_ Modello: \_\_\_\_\_  
Anno \_\_\_\_\_ Anno \_\_\_\_\_  
acquisto: \_\_\_\_\_ modello: \_\_\_\_\_

### Q7. Modalità acquisto

1. Acquisto
2. Leasing

### Q8. Scopo acquisto

1. Aggiunta
2. Sostituzione
- ↓
- Marca sostituita
1. Installato di fabbrica
2. Alpine
3. Altro → (Nome marca) \_\_\_\_\_

### Q9. Avevate già acquistato prodotti Alpine?

1. No
2. Due o tre volte

### Q10. Nell'acquistarlo, avete paragonato questo prodotto ad un'altra marca?

1. Sì → (Nome marca) \_\_\_\_\_
2. No

### Q11. SESSO

1. Maschile
2. Femminile

### Q12. ETÀ \_\_\_\_\_

### Q13. STATO CIVILE

1. Celibe/nubile
2. Coniugato/coniugata

### Q14. LAVORO

1. Proprietario di azienda/artigiano/libero professionista
2. Manager
3. Impiegato
4. Impiegato statale
5. Insegnante
6. Studente
7. Altro \_\_\_\_\_

### Q15. Commenti \_\_\_\_\_

- ◆ I agree to the above stated terms of the Alpine Product Information Card.
- ◆ Ich stimme dem Kontakt durch Alpine für Informations- und Befragungszwecke zu.
- ◆ J'accepte les termes de cette carte d'information produit Alpine.
- ◆ Estoy conforme con los términos de la tarjeta de información sobre producto de Alpine.
- ◆ Accetto i termini della scheda informazioni prodotti Alpine.

\_\_\_\_\_ (Date/Datum/Date/Fecha/Data)

\_\_\_\_\_ (Signature/Unterschrift/Signature/Firma)

### Name/Nom/Nombre/Nome

\_\_\_\_\_  
(First Name/Vorname/Prénom/Primer nombre/Nome)

\_\_\_\_\_  
(Surname/Familiename/Nom de famille/Apellido/Cognome)

### Home Address/Privatanschrift/Adresse/Dirección/Indirizzo

\_\_\_\_\_  
(Street/Straße/Rue/Calle/Via) (Post Code/Postleitzahl/Code postal/Código postal/Codice postale)

\_\_\_\_\_  
(Town/City/Stadt/Ville/Ciudad/Città) (Country/Land/Pays/Pais/Paese)

\_\_\_\_\_

\_\_\_\_\_

\_\_\_\_\_

\_\_\_\_\_

\_\_\_\_\_

\_\_\_\_\_

\_\_\_\_\_

\_\_\_\_\_

\_\_\_\_\_

\_\_\_\_\_

\_\_\_\_\_

\_\_\_\_\_

\_\_\_\_\_

\_\_\_\_\_

\_\_\_\_\_

\_\_\_\_\_

\_\_\_\_\_

\_\_\_\_\_

\_\_\_\_\_

\_\_\_\_\_

\_\_\_\_\_

\_\_\_\_\_

\_\_\_\_\_

\_\_\_\_\_

\_\_\_\_\_

\_\_\_\_\_

\_\_\_\_\_


\_\_\_\_\_

\_\_\_\_\_

\_\_\_\_\_

\_\_\_\_\_

**LUFTPORT**  
PAR AVION  
PRIORITAIRE

NE PAS AFFRANCHIR  
  
NICHT FREIMACHEN  
NO STAMP REQUIRED

---

REPOSE PAYEE/ WERBEANTWORT  
ALLEMAGNE

---

ALPINE ELECTRONICS (EUROPE) GmbH  
Frankfurter Ring 117, 80807 München,  
Germany

# Contents

## Operating Instructions

### WARNING

WARNING .....	2
CAUTION .....	2
PRECAUTIONS .....	2

### Getting Started

Location of Controls .....	4
About the Touch Button Operation .....	4
Turning Power On or Off .....	4
Adjusting the Volume .....	4
Switching the Source .....	5
Hardkey Operation .....	5
Touch Button Operation .....	5

### Setup

#### GENERAL Setup

General Setup Operation .....	5
DISPLAY Mode .....	6
Setting the Brightness of the Backlighting ...	6
Rear Monitor Select Function .....	6
Change Sound Output .....	6
Sound (Beep) Guide Function .....	6
Setting the Install Position .....	6
Turning the Touch Panel Vibration	
ON or OFF .....	7
Adjusting the External Input Audio Level ....	7
External Input Name Setting .....	7
Setting of the Rear Camera .....	7
Setting the Navigation Mode .....	7
Adjusting the Level of Backlight .....	7
Setting the GUIDE CONTROL .....	7
Adjusting the Touch Panel .....	7

#### VISUAL EQ™

Visual EQ Setting Operation .....	8
Selecting the VISUAL EQ Mode	
(Maker's setting) .....	8
Storing VISUAL EQ .....	8
Adjusting Brightness .....	8
Adjusting Colour of Picture .....	9
Adjusting Tint of Picture .....	9

Adjusting Image Contrast .....	9
Adjusting Picture Quality .....	9

### Navigation System (Optional)

Switching the Navigation Screen (Optional) ....	9
---	---

### Auxiliary Device (Optional)

Operating Auxiliary Devices (Optional) .....	10
--	----

### S-VIDEO Device (Optional)

Operating S-VIDEO Devices (Optional) .....	10
--	----

### Operating Other Products via Touch Screen

Operating Other Products via Touch Screen ...	11
Operating a DVD in the IVA-D310 series/IVA-D300 series/DVA-9965 series/DVA-9860 series .....	11
Operating the DVA-5210/DVE-5207 and the DHA-S680 series .....	12
If a TV is operated	
(A TV tuner is connected) .....	12
Operating the VPE-S431 .....	13
Operating the TUE-T200DVB .....	13

### Information

In Case of Difficulty .....	14
Specifications .....	14

## Installation and Connections

Warning .....	15
Caution .....	15
Precautions .....	15
Installation .....	16
Installing the Main unit B.Box .....	16
Attaching the monitor and stand .....	17
Connections (TME-M860 Wiring Diagram) ...	19
System Example .....	21

---

---

# Operating Instructions

## WARNING



### WARNING

This symbol means important instructions. Failure to heed them can result in serious injury or death.

---

#### INSTALL THE PRODUCT CORRECTLY SO THAT THE DRIVER CANNOT WATCH TV/VIDEO UNLESS THE VEHICLE IS STOPPED AND THE EMERGENCY BRAKE IS APPLIED.

It is dangerous for the driver to watch TV/Video while driving a vehicle. Installing this product incorrectly enables the driver to watch TV/Video while driving. This may cause a distraction, preventing the driver from looking ahead, thus causing an accident. The driver or other people could be severely injured.

---

#### DO NOT WATCH VIDEO WHILE DRIVING.

Watching the video may distract the driver from looking ahead of the vehicle and cause an accident.

---

#### DO NOT OPERATE ANY FUNCTION THAT TAKES YOUR ATTENTION AWAY FROM SAFELY DRIVING YOUR VEHICLE.

Any function that requires your prolonged attention should only be performed after coming to a complete stop. Always stop the vehicle in a safe location before performing these functions. Failure to do so may result in an accident.

---

#### KEEP THE VOLUME AT A LEVEL WHERE YOU CAN STILL HEAR OUTSIDE NOISE WHILE DRIVING.

Failure to do so may result in an accident.

---

#### MINIMIZE DISPLAY VIEWING WHILE DRIVING.

Viewing the display may distract the driver from looking ahead of the vehicle and cause an accident.

---

#### DO NOT DISASSEMBLE OR ALTER.

Doing so may result in an accident, fire or electric shock.

---

#### USE ONLY IN CARS WITH A 12 VOLT NEGATIVE GROUND.

(Check with your dealer if you are not sure.) Failure to do so may result in fire, etc.

---

#### KEEP SMALL OBJECTS SUCH AS BATTERIES OUT OF THE REACH OF CHILDREN.

Swallowing them may result in serious injury. If swallowed, consult a physician immediately.

---

#### USE THE CORRECT AMPERE RATING WHEN REPLACING FUSES.

Failure to do so may result in fire or electric shock.

---

#### DO NOT BLOCK VENTS OR RADIATOR PANELS.

Doing so may cause heat to build up inside and may result in fire.

---

#### USE THIS PRODUCT FOR MOBILE 12V APPLICATIONS.

Use for other than its designed application may result in fire, electric shock or other injury.

---

#### DO NOT INSTALL THE MONITOR NEAR THE PASSENGER SEAT AIR BAG.

If the unit is not installed correctly the air bag may not function correctly and when triggered the air bag may cause the monitor to spring upwards causing an accident and injuries.



### CAUTION

This symbol means important instructions. Failure to heed them can result in injury or material property damage.

---

#### HALT USE IMMEDIATELY IF A PROBLEM APPEARS.

Failure to do so may cause personal injury or damage to the product. Return it to your authorized Alpine dealer or the nearest Alpine Service Centre for repairing.



### PRECAUTIONS

---

#### Product Cleaning

Use a soft dry cloth for periodic cleaning of the product. For more severe stains, please dampen the cloth with water only. Anything else has the chance of dissolving the paint or damaging the plastic.

---

#### Temperature

Be sure the temperature inside the vehicle is between +45°C (+113°F) and 0°C (+32°F) before turning your unit on.

---

#### Maintenance

If you have problems, do not attempt to repair the unit yourself. Return it to your Alpine dealer or the nearest Alpine Service Station for servicing.

---

#### Installation Location

Make sure the TME-M860 will not be installed in a location subjected to:

- Direct sun and heat
  - High humidity and water
  - Excessive dust
  - Excessive vibrations
- 
- After turning the system off, a slight ghost of the image will remain temporarily. This is an effect peculiar to LCD technology and is normal.
  - In cold temperature conditions, the screen may lose contrast temporarily. After a short warm-up period, it will return to normal.

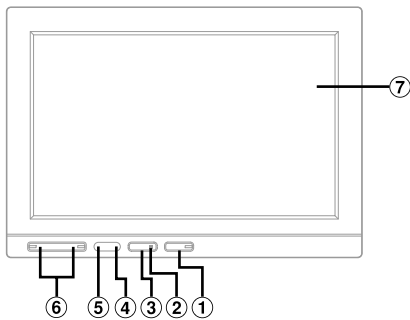


---

Operation of some of the functions of this unit is very complex. Because of this, it was deemed necessary to place these functions into a special screen. This will restrict operation of these functions to times when the vehicle is parked. This ensures the focus of the driver's attention will be on the road and not on the TME-M860. This has been done for the safety of the driver and passengers. The setup operation cannot be made if the car is moving. The car must be parked and the parking brake must be engaged for the procedure described in the Owner's Manual to be valid. The warning "CAN'T OPERATE WHILE DRIVING," will be displayed if any attempts are made to perform these operations while driving.

---

# Getting Started



## Location of Controls

- ① **SOURCE button**  
Each time you press the SOURCE button, SOURCE is switched.
- ② **POWER Indicator**
- ③ **POWER button**  
Turns the power on and off.
- ④ **DIMMER Sensor**  
Senses the brightness of the car interior
- ⑤ **Remote Sensor**  
Point the optional remote control transmitter toward the remote sensor within a range of 2 m.
- ⑥ **Volume button**  
Adjust the volume level by pressing the **▲** or **▼** button.
- ⑦ **Monitor**

### About the expression of buttons in this Owner's Manual

- The buttons on this unit are expressed in bold (e.g. **POWER**). The touch buttons on the display are expressed in bold with [ ] (e.g. [**SOURCE**]).
- This Owner's Manual explains mainly the function of touch buttons, when a touch button and a hardkey have the same function.

## About the Touch Button Operation

The display unit is equipped with tactile feedback (PULSE TOUCH).

### What is the tactile feedback (PULSE TOUCH) ?

When you touch a button graphic in the display, you will feel a mild vibration and click on the display panel surface. This feedback enables you to easily identify action areas in the display.

- Be sure to touch the button lightly with the pad of your finger on the display to protect the display.
- If you touch a button and there is no reaction, remove your finger from the display once, and try again.

## Turning Power On or Off

- 1 Press **POWER** to turn on the unit.
- 2 Press **POWER** to turn off the unit.
  - Some operation of the unit cannot be performed while the vehicle is in motion. In this case, be sure to first stop your vehicle and apply the parking brake, then perform the operation.
  - In low ambient temperature conditions, the display may be dark for a short period of time immediately after the power is turned on. Once the LCD has warmed up, the display returns to normal.
  - For your safety, some operation of the unit cannot be performed while the vehicle is in motion. In this case, first stop the vehicle and engage the parking brake, then perform the operation.
  - If the voltage of the vehicle's battery power is low, the screen may blink. This is normal and not a malfunction.

## Adjusting the Volume

Adjust the volume level by pressing **▲** or **▼**.

Volume: 0 - 30

# Switching the Source

## Hardkey Operation

Each time you press **SOURCE**, SOURCE is switched as follows.

NAV. → AUX-1 → AUX-2 → S-VIDEO → NAV.

**NAV.:**

Displays the navigation screen. (When connected to the Alpine's Navigation system)

**AUX-1 / AUX-2 / S-VIDEO:**

Displays the screen of the DVD player etc. that is connected to the AUX-1/AUX-2/S-VIDEO INPUT jack.

## Touch Button Operation

- 1 Touch any point on the display to display the operation screen for each source.**
- 2 Touch [SOURCE].**  
The source selection screen is displayed.
- 3 Touch the desired source.**  
The main source screen is displayed.

*Display example for source selection screen*



Displays source modes that can be selected  
(The kind of source modes that are displayed varies depending on connection and setting)

# Setup

## GENERAL Setup

### General Setup Operation

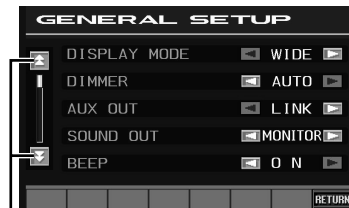
The Parking Brake must be engaged to access the setup mode screen. Attempting to access this screen while driving will display the warning-CAN'T OPERATE WHILE DRIVING.

The following steps 1 to 4 are common operations to each "Setting item" of GENERAL Setup. Refer to each section for details.

- 1 Press and hold SOURCE for at least 2 seconds.**  
The SETUP selection screen is displayed.
- 2 Touch [GENERAL SETUP].**  
The GENERAL SETUP screen appears.
- 3 Change the setting by touching [◀] or [▶] of the desired setting item.**

**Setting Items:**

DISPLAY MODE / DIMMER / AUX OUT / SOUND OUT / BEEP PULSE TOUCH / AUX IN1-2 LEVEL / AUX IN 1-2MODE / S-VIDEO MODE / CAMERA IN / NAV. MODE / DIMMER LEVEL HIGH / DIMMER LEVEL LOW /GUIDE CONTROL / SCREEN ALIGNMENT / INSTALL POSITION



Touch [▲] or [▼] to scroll screen-by-screen.

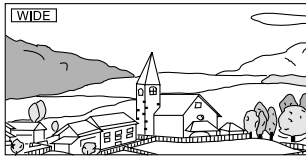
- 4 Touch [RETURN] to return to the normal screen.**
- Immediately after changing the settings of General Mode (While the system is writing data automatically) do not turn the ignition key (engine key) to OFF. Otherwise, the settings may not be changed.

## DISPLAY Mode

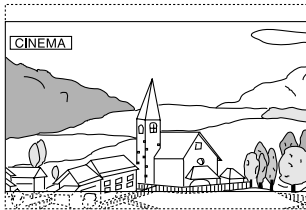
Each time you touch [◀] or [▶], the mode is switched.

**Setting item: DISPLAY MODE**

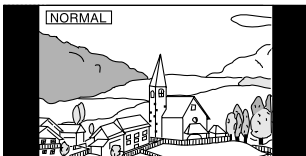
**Setting contents: WIDE / CINEMA / NORMAL**



In WIDE mode, the monitor displays a normal picture wider to fit in a wide-screen monitor by evenly stretching out the picture horizontally.



In CINEMA mode, the monitor displays a normal picture by stretching out the picture vertically. This mode is good for displaying a cinema type picture at the 16 : 9 ratio.



In NORMAL mode, the monitor displays a normal picture at the centre of the screen with a vertical black band at each side.

- In the Navigation mode, you can only set to WIDE.

## Setting the Brightness of the Backlighting

Backlighting is provided by a fluorescent light built into the liquid crystal panel. The illumination control adjusts the brightness of the backlighting based on the car ambient lighting for easier viewing.

**Setting item: DIMMER**

**Setting contents: HIGH / LOW / AUTO**

- HIGH:** Sets the brightness of the screen to the same brightness that was set in DIMMER LEVEL HIGH in "Adjusting the Level of Backlight" (page 7).
- LOW:** Sets the brightness of the screen to the same brightness that was set in DIMMER LEVEL LOW in "Adjusting the Level of Backlight" (page 7).
- AUTO:** Adjust the brightness of the background illumination of the monitor automatically to the brightness of the car interior.

## Rear Monitor Select Function

**Setting item : AUX OUT**

**Setting contents : LINK / NAV. / AUX-1 / AUX-2 / S-VIDEO**

- LINK:** Output the video/audio portion shown on the main monitor, to the rear monitor.
- NAV.:** Output the navigation video/audio to the rear monitor.
- AUX-1:** Output the AUX1 video/audio to the rear monitor.
- AUX-2:** Output the AUX2 video/audio to the rear monitor.
- S-VIDEO:** Output the S-VIDEO video to the rear monitor.

- NAV. is displayed when NAV. is set in "Setting the Navigation Mode" (page 7).
- AUX-1/AUX-2/S-VIDEO are not displayed when they are set to OFF in "External Input Name Setting" (page 7).

## Change Sound Output

**Setting item: SOUND OUT**

**Setting contents: OFF / MONITOR / HEADPHONES**

- OFF:** Sound is not output.
- MONITOR:** Outputs sound through the built-in speakers.
- HEADPHONES:** Outputs sound to headphones if connected.

- The audio interruption setting for the navigation system takes precedence over the sound output from other audio sources (radio, CD player, etc.) regardless of setting items.
- \* Note that sound will not be output unless the audio output settings are appropriate.
- When the source name of AUX 2 and S-VIDEO terminals is set to the DVD HU, the adjustment of the audio level is made with the head unit. In this case, sound is not output through the built-in speakers or headphones. To output sound through the built-in speakers or headphones, set to REAR in "Setting the Install Position" (page 6).
- The audio output level of navigation interruption is equal to the volume level of the navigation mode.

## Sound (Beep) Guide Function

**Setting item: BEEP**

**Setting contents: OFF / ON**

- ON:** Activate the Sound Guide mode.
- OFF:** Deactivate the Sound Guide mode. The sound guide beep will not be produced when a button on the unit is pressed.

## Setting the Install Position

When you install this unit in the rear seat and use the optional headphones/built-in speakers, set to REAR in this setting. If you set to FRONT, the volume level adjustment cannot be made when you use the optional headphones/built-in speakers.

**Setting item: INSTALL POSITION**

**Setting contents: FRONT/REAR**

- FRONT:** When installing this unit in the front seat
- REAR:** When installing this unit in the rear seat

## Turning the Touch Panel Vibration ON or OFF

You can turn the touch panel's vibration ON or OFF during operation.

**Setting item:** PULSE TOUCH

**Setting contents:** OFF / ON

OFF: Turns off vibration during operation.

ON: Turns on vibration during operation.

## Adjusting the External Input Audio Level

**Setting item:** AUX IN 1 LEVEL / AUX IN 2 LEVEL

**Setting contents:** HIGH / LOW

HIGH: Increases the external input audio level

LOW: Decreases the external input audio level

- This setting cannot be made when AUX IN 1 MODE/AUX IN 2 MODE is set to OFF in "External Input Name Setting".

## External Input Name Setting

Select the name from the following list, to be used for the product using the external input mode. This will apply to the touch switch name at source selection time and the source name during playback change.

**Setting item:** AUX IN 1 MODE / AUX IN 2 MODE / S-VIDEO MODE  
**Setting contents:**

AUX IN 1: OFF / TV / DVB-T / EXT. DVD / GAME / AUX 1

AUX IN 2: OFF / TV / DVB-T / EXT. DVD / GAME / AUX 2 / LINK / DVD HU

S-VIDEO: OFF / S-VIDEO / DVD HU

- When you set to OFF, you cannot do operations concerning AUX or S-VIDEO from this unit.

## Setting of the Rear Camera

When the rear camera is connected, rear pictures are output on the screen.

**Setting item:** CAMERA IN

**Setting contents:** OFF / ON

OFF: The CAMERA source is not displayed on the SOURCE selection screen.

ON: Even if the shift lever is not set to reverse (R), the rear pictures are output by selecting the CAMERA source.

- By shifting to reverse (R), the rear pictures are output. This function is effective when the reverse wire is properly connected.

## Setting the Navigation Mode

When you connect an optional navigation equipment, set it to NAV.

**Setting item:** NAV. MODE

**Setting contents:** OFF / NAV. / EXT.

OFF: Navigation source is not displayed. The settings related to the navigation can not be changed from this unit.

NAV.: Navigation source is displayed.

EXT.: The source name is displayed as EXT..

## Adjusting the Level of Backlight

You can adjust the brightness of the backlight (HIGH and LOW). This function could be used, for instance, to change the screen brightness while travelling at night.

### Setting a maximum brightness

**Setting item:** DIMMER LEVEL HIGH

**Setting contents:** 16-31

You can adjust the level between MIN (16) and MAX (31).

When it reaches the minimum or maximum point, the display shows "MIN" or "MAX" respectively.

### Setting a minimum brightness

**Setting item:** DIMMER LEVEL LOW

**Setting contents:** 0-15

You can adjust the level between MIN (0) and MAX (15).

When it reaches the minimum or maximum point, the display shows "MIN" or "MAX" respectively.

## Setting the GUIDE CONTROL

It is audio interruption setting for the navigation system.

**Setting item:** GUIDE CONTROL

**Setting contents:** STANDARD / EUROPE

For European customers:

Be sure to set to "EUROPE".

For customers in other countries: Be sure to set to "STANDARD".

The setting can be made only when NAV. or EXT. is set in "Setting the Navigation Mode".

## Adjusting the Touch Panel

Adjustment becomes necessary when the display position on the LCD and the touch position on the touch panel do not match.

**Setting item:** SCREEN ALIGNMENT

**Setting contents:** ◀ (RESET) / ▶▶ (SETUP)

- 1 Touch [▶▶] of SCREEN ALIGNMENT.

The adjustment screen appears.

- 2 Accurately touch the ✕ mark provided in the lower left corner of the screen.

The screen changes to the adjustment screen.

- 3 Accurately touch the ✕ mark provided in the upper right corner of the screen.

This completes adjustment, and returns to the GENERAL setup mode screen.

- If you have touched a location other than the ✕ mark, touch the ▶▶ mark to restore the adjustment screen to the initial setting.
- If you touch [RETURN] on the adjustment screen, no adjustment is done and the GENERAL setup screen is restored.

# VISUAL EQ™

## Visual EQ Setting Operation

The following steps 1 to 5 are common operations to each "Setting item" of VISUAL EQ setting. Refer to each section for details

**1 Press and hold SOURCE for at least 2 seconds.**  
The SETUP selection screen is displayed.

**2 Touch [Visual EQ].**  
VISUAL EQ screen appears.



**3 Select a desired setting item by touching [▲] or [▼].**

**Setting items:**

BRIGHT ↔ COLOR\* ↔ TINT\* ↔ CONTRAST ↔ SHARP\* ↔ VISUAL EQ MODE\* ↔ USER MEMORY\*

\* The setting is available in the visual source mode. (except RGB navigation screen)

**4 Change the setting on the selected item by touching its [◀] or [▶].**

**5 Touch [RETURN] to return to the normal screen.**

• Visual EQ setting cannot be made in the CAMERA mode.

## Selecting the VISUAL EQ Mode (Maker's setting)

You can select a mode suitable for the subject image.

**Setting item: VISUAL EQ MODE**

**Setting contents: OFF / NIGHT M / SOFT / SHARP / CONTRAST / P-1 / P-2**

- OFF: Initial Setting
- NIGHT M: Suitable for movies in which dark scenes frequently appear.
- SOFT: Suitable for CGs and animated films.
- SHARP: Suitable for old movies where images are not clearly shown.
- CONTRAST: Suitable for recent movies.
- P-1: Recalls the VISUAL EQ mode being stored on preset No.P-1 from "Storing VISUAL EQ" (page 8).
- P-2: Recalls the VISUAL EQ mode being saved on preset No.P-2 from "Storing VISUAL EQ" (page 8).

- To return to the initial setting, after selecting any one of the setting contents (NIGHT M to CONTRAST) and adjusting a desired brightness, picture tint, etc., set this function to OFF.
- If your desired brightness, picture tint, etc., are adjusted after selecting any one of the setting contents, "CUSTOM" is displayed.

## Storing VISUAL EQ

You can store the settings made for "Adjusting Image Brightness, Tint, Depth, Picture Quality and Contrast."

**Setting item: USER MEMORY**

**Setting contents: P-1 / P-2**

- 1 After completing "Adjusting Image Brightness, Tint, Depth, Picture Quality, and Contrast" (pages 8, 9), touch [◀] or [▶] of USER MEMORY and then select preset number "P-1" or "P-2" to which the settings are to be stored.
- 2 After selecting a preset No., touch [WRITE].  
The adjusted VISUAL EQ mode is stored by the above operations.

- You can recall the VISUAL EQ mode stored here from P-1 or P-2 of "Selecting the VISUAL EQ Mode (Maker's setting)" (page 8).

## Adjusting Brightness

**Setting item: BRIGHT**

**Setting contents: -15 ~ +15**

You can adjust the brightness between MIN (-15) and MAX (+15). When it reaches the minimum or maximum point, the display shows "MIN" or "MAX" respectively.

- The brightness is automatically adjusted according to the car's interior brightness if AUTO is set in "Setting the Brightness of the Backlighting" (page 6).

## Adjusting Colour of Picture

**Setting item: COLOR**

**Setting contents: -15 ~ +15**

You can adjust the colour between MIN (-15) and MAX (+15). When it reaches the minimum or maximum point, the display shows "MIN" or "MAX" respectively.

- *Tint adjustment cannot be made in NAV mode (with the RGB feature connected).*

## Adjusting Tint of Picture

**Setting item: TINT**

**Setting contents: G15 ~ R15**

Adjust the colour from G15 to R15. "G MAX" or "R MAX" is displayed at the maximum of each colour.

- *Tint adjustment cannot be made in NAV mode (with the RGB feature connected).*
- *When PAL signal is input, you cannot adjust the TINT.*

## Adjusting Image Contrast

**Setting item: CONTRAST**

**Setting contents: -15 to +15**

Adjustment of contrast is done in the range of LOW (-15) to HIGH (+15). "HIGH" and "LOW" appear as the maximum and minimum values specified.

- *Image contrast is automatically adjusted according to the car's interior brightness if AUTO is set in "Setting the Brightness of the Backlighting" (page 6).*

## Adjusting Picture Quality

**Setting item: SHARP**

**Setting contents: -15 to +15**

Adjustment of picture quality is done in the range of -15 to +15. "HARD" and "SOFT" appear as the maximum and minimum values specified.

- *Tint adjustment cannot be made in NAV mode (with the RGB feature connected).*

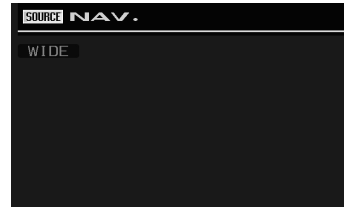
# Navigation System (Optional)

## Switching the Navigation Screen (Optional)

If an optional Alpine Navigation System is connected to the TME-M860, the Navigation screen can be displayed on this unit.

- 1 Touch [SOURCE] on the main source screen.**  
The source selection screen appears on the display.

- 2 Touch [NAV].**  
The Navigation screen is displayed.  
The operation is possible with the supplied navigation remote control.  
For navigation operation, refer to the Owner's Manual of the navigator.



- *If the NAV. is not displayed on the source selection screen, set NAV. MODE to NAV. by following "Setting the Navigation Mode" (page 7).*
- *When the Navigation System is on, the audio navigation cuts in.*

# Auxiliary Device (Optional)

## Operating Auxiliary Devices (Optional)

To operate your devices connected to the AUX terminals of TME-M860, follow the procedure described below.

### WARNING

It is dangerous for the driver to watch the TV/Video while driving the vehicle. The driver may be distracted from looking ahead and an accident could occur.

Install the TME-M860 correctly so that the driver cannot watch TV/Video unless the vehicle is stopped and the hand brake is applied.

If the TME-M860 is not installed correctly, the driver will be able to watch the TV/Video while driving the vehicle and may be distracted from looking ahead and cause an accident. The driver or other people could be severely injured.

- If you try to activate the auxiliary device while driving, the display will show the warning-PICTURE OFF FOR YOUR SAFETY.

**1 Touch [SOURCE] on the main source screen.**  
The source selection screen appears on the display.

**2 Touch [AUX-1]\* or [AUX-2]\*.**  
The external input screen is displayed.



- \* The name which is given as the source name in "External Input Name Setting" on page 7 is displayed.
- If the AUX mode is not displayed on the source selection screen, set AUX IN to other than OFF by following "External Input Name Setting" on page 7.
- If the source name is set to anything other than AUX-1/AUX-2/GAME in "External Input Name Setting" on page 7, an operation screen (function keys) is displayed. When the source name is set to LINK, the "AUDIO" or "EXT.DVD" operation screen is displayed, which can be toggled by touching [CONTROL] on their screens. For operation screen details, see "Operating Other Products via Touch Screen" on page 11. The "AUDIO" operation screen is the same as the "DVD HU" operation screen except that the former has no SOURCE button, otherwise their button operations are the same.

# S-VIDEO Device (Optional)

## Operating S-VIDEO Devices (Optional)

To operate your devices connected to the S-VIDEO terminals of TME-M860, follow the procedure described below.

### WARNING

It is dangerous for the driver to watch the TV/Video while driving the vehicle. The driver may be distracted from looking ahead and an accident could occur.

Install the TME-M860 correctly so that the driver cannot watch TV/Video unless the vehicle is stopped and the hand brake is applied.

If the TME-M860 is not installed correctly, the driver will be able to watch the TV/Video while driving the vehicle and may be distracted from looking ahead and cause an accident. The driver or other people could be severely injured.

- If you try to activate the auxiliary device while driving, the display will show the warning-PICTURE OFF FOR YOUR SAFETY.

**1 Touch [SOURCE] on the main source screen.**  
The source selection screen appears on the display.

**2 Touch [S-VIDEO]\*.**  
The S-VIDEO input screen is displayed.



- \* The name which is given as the source name in "External Input Name Setting" on page 7 is displayed.
- If the S-VIDEO mode is not displayed on the source selection screen, set S-VIDEO to other than OFF by following "External Input Name Setting" on page 7.
- For operation screen (function keys) details, see "Operating Other Products via Touch Screen" on page 11. When the source name is set to S-VIDEO in "External Input Name Setting" on page 7, the "AUDIO" or "EXT.DVD" operation screen is displayed, which can be toggled by touching [CONTROL] on their screens. The "AUDIO" operation screen is the same as the "DVD HU" operation screen except that the former has no SOURCE button, otherwise their button operations are the same.



# Operating Other Products via Touch Screen

## Operating Other Products via Touch Screen

When the TME-M860 is used in combination with a product designed to be operated from the TME-M860 (IVA-D310 series/IVA-D300 series/DVA-9965 series/DVA-9860 series/DVA-5210/DVE-5207/DHA-S680 series etc.), some of the operations on the other product can be performed from the TME-M860. Below are some examples of the operations that can be performed.

- The TME-M860 and other components connected to it can be operated with a separately sold remote control unit. For instructions on operations using the remote control unit, see the remote control unit's operating instructions.
- Depending on the connected component, some functions and operations may differ. Also refer to the operating instructions of the connected component.

### Operating a DVD in the IVA-D310 series/IVA-D300 series/DVA-9965 series/DVA-9860 series

Connect these models to the AUX IN 2 or S-VIDEO terminal, and set to "DVD HU" in "External Input Name Setting" (page 7).

#### Touch any point on the display.

The "DVD HU" operation screen appears.



Operation of DVD in IVA-D310 series/IVA-D300 series/DVA-9965 series/DVA-9860 series		
	Touch	Long touch
①	Play from start of current chapter	2x fast reverse/8x fast reverse after 5 seconds
②	Play/pause	-
③	Play next chapter	2x fast forward/8x fast forward after 5 seconds Slow play (from pause mode)
④	PRE STOP/STOP	STOP
⑤	-	-
⑥	-	-
⑦	SOURCE	-
⑧	Switch page (function guide)	-
⑨	Move menu cursor	-
⑩	Enter (DVD menu)	-
⑪	Move back to the previous menu screen	-
⑫	Call out DVD menu	-
⑬	Switch page (function guide)	-

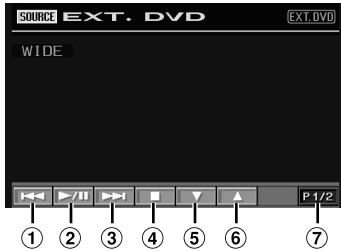
- When operating an IVA-D310 series/IVA-D300 series, see the "Rear Entertainment Function" section of the IVA-D310 series/IVA-D300 series operating instructions.

## Operating the DVA-5210/DVE-5207 and the DHA-S680 series

Set to "EXT.DVD" in "External Input Name Setting" (page 7).

### Touch any point on the display.

The "EXT.DVD" operation screen appears.



	Operation of a DVD player (DVA-5210/DVE-5207)		Operation of a DVD changer (DHA-S680)	
	Touch	Long touch	Touch	Long touch
①	Play from start of current chapter	2x fast reverse/ 8x fast reverse after 5 seconds	Play from start of current chapter	16x fast reverse
②	Play/pause	-	Play	Slow play
③	Play next chapter	2x fast forward/8x fast forward after 5 seconds Slow play (from pause mode)	Play next chapter	16x fast forward
④	PRE STOP/STOP	STOP	PRE STOP/STOP	-
⑤	-	-	Switch DISC	-
⑥	-	-	Switch DISC	-
⑦	Switch page (function guide)	-	Switch page (function guide)	-
⑧	Move menu cursor	-	Move menu cursor	-
⑨	Enter (DVD menu)	-	Enter (DVD menu)	-
⑩	Move back 1 screen (DVD player setup)*	-	Move back 1 screen (DVD changer setup)*	-
⑪	Call out DVD menu	Call out DVD player setup screen*	Call out DVD menu	Call out DVD changer setup screen*
⑫	Switch page (function guide)	-	Switch page (function guide)	-

\*Stop mode only

\*Stop mode only

## If a TV is operated (A TV tuner is connected)

Set to "TV" in "External Input Name Setting" (page 7).

### Touch any point on the display.

The "TV" operation screen appears.



	TV Operation	
	Touch	Long touch
①	Channel down	-
②	Channel up	-
③	Auto memory	-
④	Preset channel down	-
⑤	Preset channel up	-
⑥	Change band	-

## Operating the VPE-S431

Connect to the AUX IN 2 terminal, set to "LINK" in "External Input Name Setting" (page 7).

### Touch any point on the display.

The "LINK" operation screen appears.



- By touching [CONTROL] on the upper right side of the screen, the display switches between the "AUDIO" operation screen and "EXTDVD" operation screen.
- For details, refer to the Owner's Manual of the expansion box (VPE-S431) sold separately.

## Operating the TUE-T200DVB

Set to "DVB-T" in "External Input Name Setting" (page 7).

### Touch any point on the display.

The "DVB-T" operation screen appears.



DVB-T Operation		
	Touch	Long touch
①	Channel down	Continuous channel down
②	Channel up	Continuous channel up
③	Scan	-
④	Favorite channel down	-
⑤	Favorite channel up	-
⑥	Source select	-
⑦	EPG display	-
⑧	Switch page (function guide)	-
⑨	Move menu cursor	-
⑩	Enter	-
⑪	Return	-

- For details, refer to the Owner's Manual of the TUE-T200DVB sold separately.

# Information

## In Case of Difficulty

If you encounter a problem, please turn the power off, then on again. If the unit is still not functioning normally, please review the items in the following checklist. This guide will help you isolate the problem if the unit is at fault. Otherwise, make sure the rest of your system is properly connected, or then consult your authorized Alpine dealer.

### Basic

#### No function or display.

- Vehicle's ignition is off.
  - If connected according to the instructions, the unit will not operate with the vehicle's ignition off.
- Improper power lead connections.
  - Check power lead connections.
- Blown fuse.
  - Check the fuse on the battery lead of the unit; replace with the proper value if necessary.

#### No sound or unnatural sound.

- Connections are not properly or securely made.
  - Check the connections and firmly connect.

#### Screen not displayed.

- Brightness control is set at the minimum position.
  - Adjust the Brightness control.
- Temperature in the vehicle is too low.
  - Increase the vehicle's interior temperature to operation temperature range.
- Connections to the DVD, navigation system are not securely made.
  - Check the connections and firmly connect.

#### Unclear or noisy display.

- Fluorescent plate is worn out.
  - Replace the fluorescent plate.

#### Navigation system inoperative.

- Connections to the navigation system are incorrect.
  - Check the connections with the navigation system and connect the cables correctly and firmly.

#### Unclear picture display.

- Fluorescent tube is exhausted.
  - Replace the fluorescent tube\*.

\* The fluorescent tube replacement is not free of charge even within the warranty period, for the tube is an article of consumption.

#### Unit does not operate.

- Monitor's power is not turned on.
  - Turn on the monitor's power.

#### No picture is produced.

- Monitor's mode is not switched to the mode you want to see.
  - Switch to the mode you want to see.
- Monitor's parking brake lead is not connected.
  - Connect the monitor's parking brake lead and set the parking brake.  
(For details, refer to the monitor's instructions.)

- Monitor's parking brake is not set.
  - Connect the monitor's parking brake lead and set the parking brake.  
(For details, refer to the monitor's instructions.)

#### Picture is unclear or noisy.

- Vehicle's battery power is weak.
  - Check the battery power and wiring.  
(The unit may malfunction if the battery power is under 11 volts with a load applied.)
- Monitor's fluorescent tube is worn.
  - Replace the monitor's fluorescent tube.

#### Spots or dotted lines/stripes appear.

- Caused by neon signs, high-voltage power lines, CB transmitter, other vehicle's ignition plugs, etc.
  - Change the location of your vehicle.

## Specifications

### MONITOR SECTION

Screen Size	8.0-type
LCD Type	Transparent type TN LCD
Operation System	TFT active matrix
Number of Picture Elements	1,152,000 pcs.
Effective Number of Picture Elements	99.99% or more
Illumination System	Cold cathode fluorescent tube

### GENERAL

Power Requirement	14.4 V DC (11-16 V allowable)
Weight	(Monitor Section) 680 g (1 lbs. 8 oz) (B.box Section) 880 g (1 lbs. 15 oz)

### CHASSIS SIZE (Monitor section)

Width	205 mm (8-1/16")
Height	35 mm (1-3/8")
Depth	145 mm (5-45/64")

### CHASSIS SIZE (B.box)

Width	222 mm (8-21/32")
Height	30 mm (1-3/16")
Depth	164 mm (6-29/64")

- Due to continuous product improvement, specifications and design are subject to change without notice.
- The LCD panel is manufactured using an extremely high precision manufacturing technology. Its effective pixel ratio is over 99.99%. This means that there is a possibility that 0.01% of the pixels could be either always ON or OFF.

# Installation and Connections

Before installing or connecting the unit, please read the following and pages 2 to 3 of this manual thoroughly for proper use.

## Warning

### **MAKE THE CORRECT CONNECTIONS**

Failure to make the proper connections may result in fire or product damage.

### **USE ONLY IN CARS WITH A 12 VOLT NEGATIVE GROUND.**

(Check with your dealer if you are not sure.) Failure to do so may result in fire, etc.

### **BEFORE WIRING, DISCONNECT THE CABLE FROM THE NEGATIVE BATTERY TERMINAL.**

Failure to do so may result in electric shock or injury due to electrical shorts.

### **DO NOT ALLOW CABLES TO BECOME ENTANGLED IN SURROUNDING OBJECTS.**

Arrange wiring and cables in compliance with the manual to prevent obstructions when driving. Cables or wiring that obstruct or hang up on places such as the steering wheel, shift lever, brake pedals, etc. can be extremely hazardous.

### **DO NOT SPLICE INTO ELECTRICAL CABLES.**

Never cut away cable insulation to supply power to other equipment. Doing so will exceed the current carrying capacity of the wire and result in fire or electric shock.

### **DO NOT DAMAGE PIPE OR WIRING WHEN DRILLING HOLES.**

When drilling holes in the chassis for installation, take precautions so as not to contact, damage or obstruct pipes, fuel lines, tanks or electrical wiring. Failure to take such precautions may result in fire.

### **DO NOT USE BOLTS OR NUTS IN THE BRAKE OR STEERING SYSTEMS TO MAKE GROUND CONNECTIONS.**

Bolts or nuts used for the brake or steering systems (or any other safety-related system), or tanks should NEVER be used for installations or ground connections. Using such parts could disable control of the vehicle and cause fire etc.

### **KEEP SMALL OBJECTS SUCH AS BOLTS OR SCREWS OUT OF THE REACH OF CHILDREN.**

Swallowing them may result in serious injury. If swallowed, consult a physician immediately.

### **DO NOT INSTALL IN LOCATIONS WHICH MIGHT HINDER VEHICLE OPERATION, SUCH AS THE STEERING WHEEL OR SHIFT LEVER.**

Doing so may obstruct forward vision or hamper movement etc. and results in serious accident.

## Caution

### **HAVE THE WIRING AND INSTALLATION DONE BY EXPERTS.**

The wiring and installation of this unit requires special technical skill and experience. To ensure safety, always contact the dealer where you purchased this product to have the work done.

### **USE SPECIFIED ACCESSORY PARTS AND INSTALL THEM SECURELY.**

Be sure to use only the specified accessory parts. Use of other than designated parts may damage this unit internally or may not securely install the unit in place. This may cause parts to become loose resulting in hazards or product failure.

### **ARRANGE THE WIRING SO IT IS NOT CRIMPED OR PINCHED BY A SHARP METAL EDGE.**

Route the cables and wiring away from moving parts (like the seat rails) or sharp or pointed edges. This will prevent crimping and damage to the wiring. If wiring passes through a hole in metal, use a rubber grommet to prevent the wire's insulation from being cut by the metal edge of the hole.

### **DO NOT INSTALL IN LOCATIONS WITH HIGH MOISTURE OR DUST.**

Avoid installing the unit in locations with high incidence of moisture or dust. Moisture or dust that penetrates into this unit may result in product failure.

## Precautions

- Be sure to disconnect the cable from the (-) battery post before installing your TME-M860. This will reduce any chance of damage to the unit in case of a short-circuit.
- Be sure to connect the color coded leads according to the diagram. Incorrect connections may cause the unit to malfunction or damage to the vehicle's electrical system.
- When making connections to the vehicle's electrical system, be aware of the factory installed components (e.g. on-board computer). Do not tap into these leads to provide power for this unit. When connecting the TME-M860 to the fuse box, make sure the fuse for the intended circuit of the TME-M860 has the appropriate amperage. Failure to do so may result in damage to the unit and/or the vehicle. When in doubt, consult your ALPINE dealer.
- The TME-M860 uses female RCA-type jacks for connection to other units having RCA connectors. You may need an adaptor to connect other units. If so, please contact your authorized ALPINE dealer for assistance.
- The Display must be completely retracted in the casing when installing. If it is not, problems may occur.

#### **IMPORTANT**

Please record the serial number of your unit in the space provided below and keep it as a permanent record. The serial number plate is located on the bottom of the unit.

SERIAL NUMBER: \_\_\_\_\_

INSTALLATION DATE: \_\_\_\_\_

INSTALLATION TECHNICIAN: \_\_\_\_\_

PLACE OF PURCHASE: \_\_\_\_\_

# Installation

## Accessory List

Monitor	1
Main unit B.Box	1
Power cable	1
Display cable (6m)	1
Parking brake lead	1
Velcro fastener	2
Tapping Screw (M4×14)	4
Cord clamp	3
Monitor stand	1
Fixing Screw (M4×12)	3
Cloth	1
Owner's Manual	1

## Installing the Main unit B.Box

### When mounting with Velcro fasteners

When mounting the blackbox with the Velcro fasteners, be sure to choose a flat location.

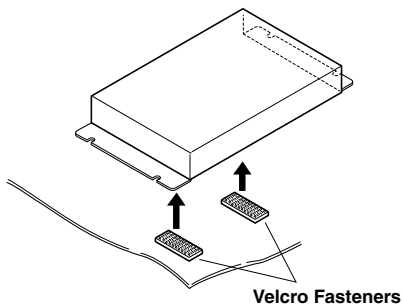
Do not hang the unit from the bottom of the dashboard or rear deck with the Velcro fasteners.

#### 1 Place Velcro fastener.

Attach two pieces of Velcro fastener with the rough side facing toward the unit.

#### 2 Put on two pieces of Velcro fastener on the mounting positions.

Put on two pieces of the Velcro fastener (soft one) on the mounting positions and mount the unit.



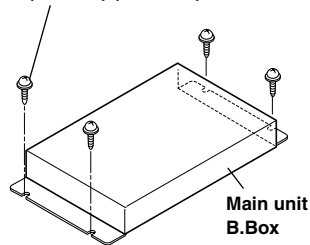
### When mounting with Screws

When mounting the blackbox with the screws, be sure to choose a flat location.

When making holes, be careful not to scratch any pipes or wires.

#### 1 Install the unit on the floor with the supplied flange-head tapping screws (M4 x 14).

Flange-head tapping screws (M4 x 14) (Included)



### ⚠ WARNING

When you are drilling a hole in the car body, be careful not to damage pipes, tanks or electrical wiring etc.. It might cause an accident or a fire.

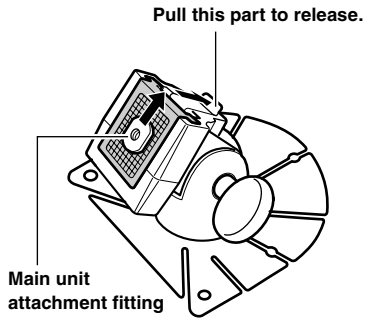
## Attaching the monitor and stand



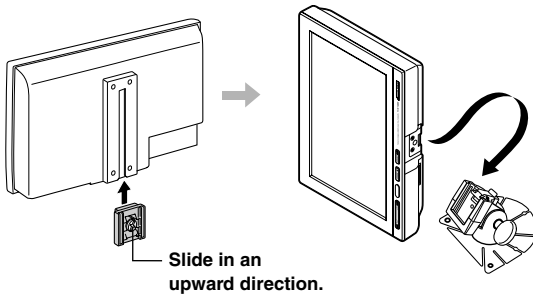
### CAUTION

Do not install the monitor near the front passenger seat air bag system.

### 1 Remove the main unit attachment fitting.

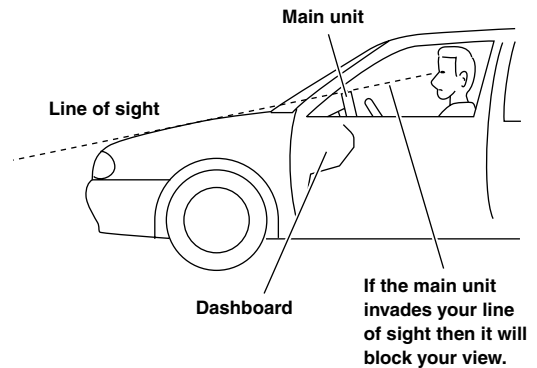
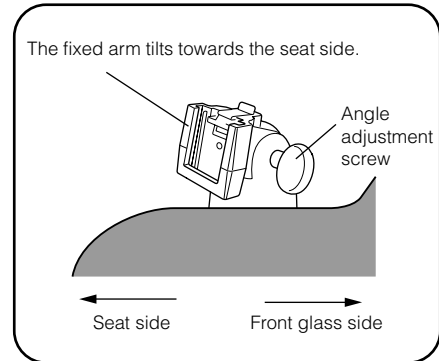


### 2 Loosen the main unit attachment fitting with a coin etc., slide it into the track on the rear of the main unit and temporarily fasten it. Then fix it to the stand.



### 3 Check the sticking position.

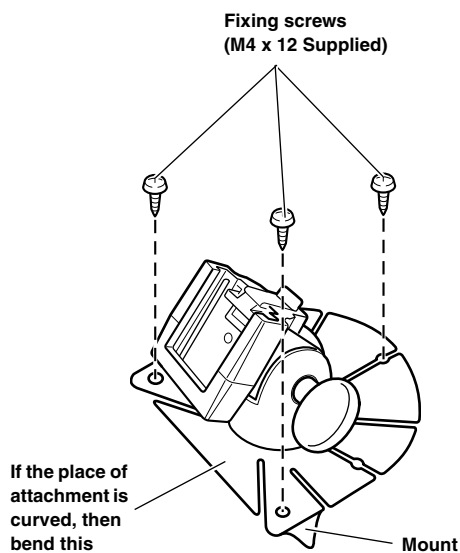
- ① Temporarily fasten the stand with gum tape.
- ② Loosen the adjustment screws, and adjust to a safe, viewable position.



#### ***In order to use safely, attach to the following places.***

- Stable and secure places.
- Places that will not have your view blocked by the main unit when driving.
- Places that you will not hit against if you lean forward while you wearing your seatbelt.
- Places where the main unit cannot hit against the steering wheel while driving.
- *Be aware that if the surface of the dashboard is leather, wooden panel, stretched fabric or any non-resin based product, then the surface will be damaged when you remove the stand.*
- *Do not place the main unit directly in front of the air conditioner vents.*

- 4 Remove the main unit from the stand.
- 5 Remove the mount from the stand and stick it to the dashboard etc.. Remove any dirt on the place to install, using the supplied cloth.



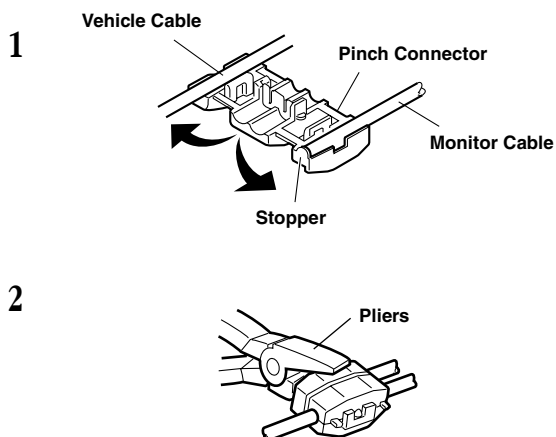
- If the temperature in the car is low (Winter), then first heat up the place where you are going to stick the mount with a hairdryer etc.
- Do not apply force to the mount, or expose to humidity, within 24 hours after attaching.
- If the mount is not firmly stuck, then we recommend that you attach with the supplied fixing screws.

- 6 Attach the main unit to the stand as shown in step 2. Use the cable clamps to fix the cables.

- Before using, check that the main unit and the stand, and the stand and the place where it is attached to the car are fixed securely.

### Parking Brake Lead Connection

If necessary, use a pinch connector to connect the parking brake lead, etc.

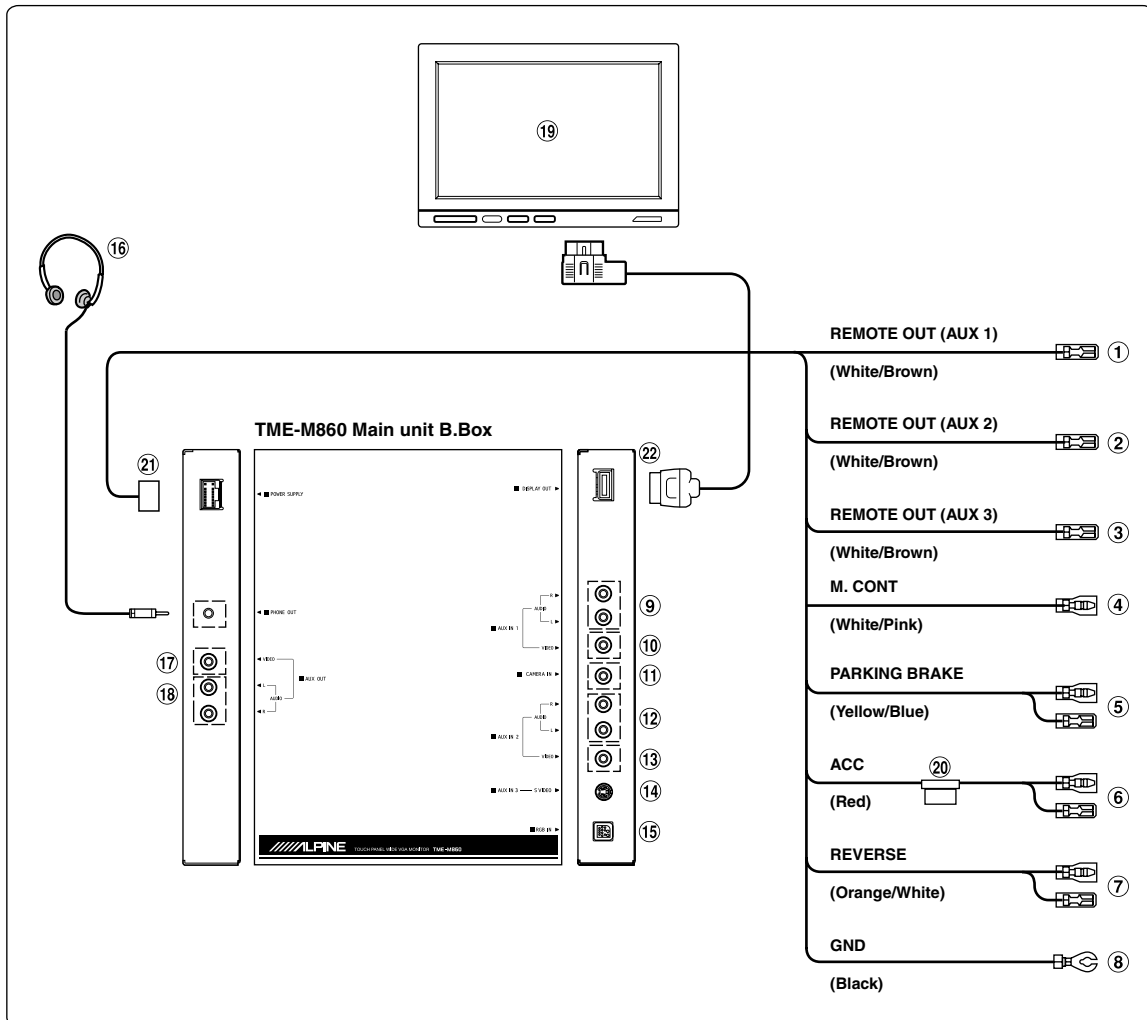


#### ***To prevent external noise from entering the audio system.***

- Locate the unit and route the leads at least 10 cm away from the car harness.
- Keep the battery power leads as far away from other leads as possible.
- Connect the ground lead securely to a bare metal spot (remove any paint, dirt or grease if necessary) of the car chassis.
- If you add an optional noise suppressor, connect it as far away from the unit as possible. Your Alpine dealer carries various noise suppressors, contact them for further information.
- Your Alpine dealer knows best about noise prevention measures so consult your dealer for further information.



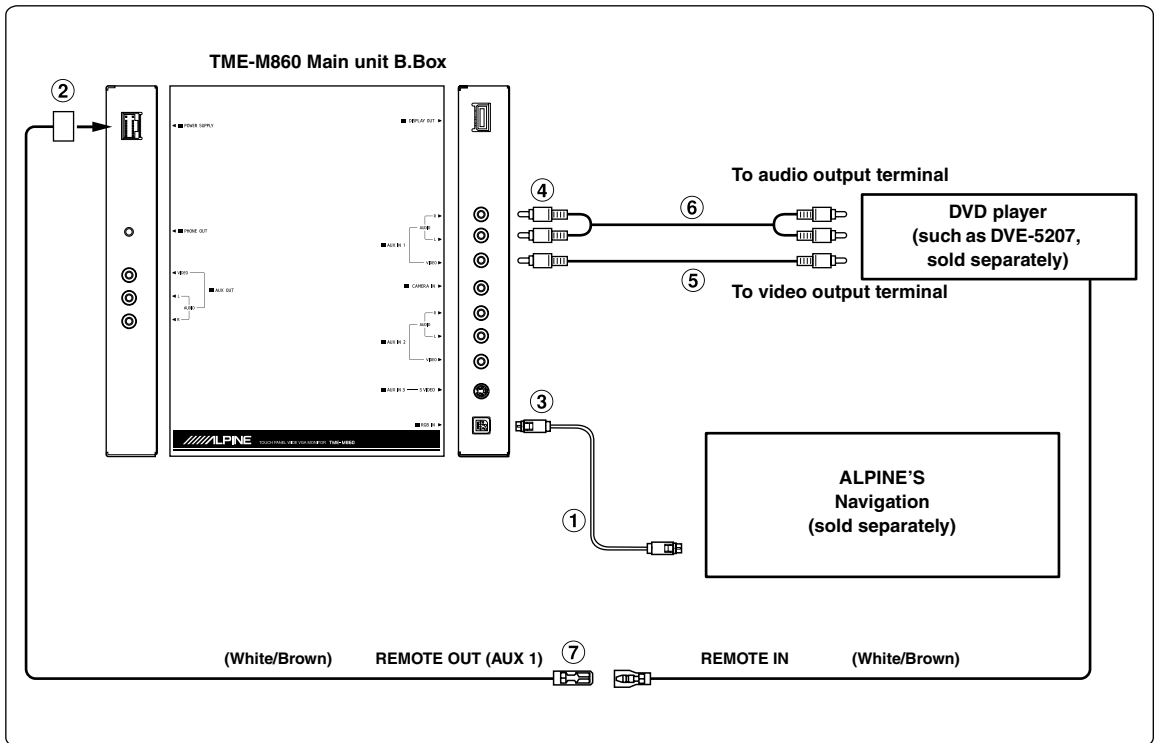
# Connections (TME-M860 Wiring Diagram)



- ① **Remote Control Output Lead (AUX 1) (White/Brown)**  
Connect this lead to the remote control input lead. This lead outputs the controlling signals from the remote control.
- ② **Remote Control Output Lead (AUX 2) (White/Brown)**  
Connect this lead to the remote control input lead. This lead outputs the controlling signals from the remote control.
- ③ **Remote Control Output Lead (AUX 3) (White/Brown)**  
Connect this lead to the remote control input lead. This lead outputs the controlling signals from the remote control.
- ④ **Monitor Control Lead (White/Pink)**  
Connect this to the Monitor Control Lead of the touch panel-compatible product.
- ⑤ **Parking Brake Lead (Yellow/Blue)**  
Connect this lead to the power supply side of the parking brake switch to transmit the parking brake status signals to the TME-M860.
- ⑥ **Switched Power Lead (Ignition) (Red)**  
Connect this lead to an open terminal on the vehicle's fuse box or another unused power source which provides (+) 12V only when the ignition is turned on or in the accessory position.
- ⑦ **Reverse Lead (Orange/White)**  
Use only when a back-up camera is connected. Connect to the plus side of the car's reverse lamp that lights when the transmission is shifted into reverse (R).  
Switches the video picture to the back-up camera. This is linked with putting the car into reverse (R).
- ⑧ **Ground Lead (Black)**  
Connect this lead to a good chassis ground on the vehicle. Make sure the connection is made to bare metal and is securely fastened using the sheet metal screw provided.
- ⑨ **Audio input Terminals (AUX 1)**  
Use these terminals to input the audio signals from a DVD player, video deck etc.
- ⑩ **Video input Terminal (AUX 1)**  
Use this terminal to input the video signals from a DVD player, video deck etc.
- ⑪ **Video input terminal for a rear view back-up camera**  
Use this terminal to input the video signals from a rear view camera.
- ⑫ **Audio input Terminals (AUX 2)**  
Use these terminals to input the audio signals from a DVD player, video deck etc.
- ⑬ **Video input Terminal (AUX 2)**  
Use this terminal to input the video signals from a DVD player, video deck etc.
- ⑭ **S Video input Terminal (AUX 3/ S-VIDEO)**  
Use this terminal to input the S-video signals.
- ⑮ **RGB Input Terminal**  
Connect this to the RGB output terminal of the Navigation System.
- ⑯ **Headphone**
- ⑰ **Video output Terminal**  
Use this terminal to output video signals to a rear monitor, etc.
- ⑱ **Audio output Terminals**  
Use these terminals to output audio signals to a rear monitor, etc.
- ⑲ **Main monitor**
- ⑳ **Fuse Holder (7.5A)**
- ㉑ **Power Supply Connector**
- ㉒ **Display Output Terminal**

# System Example

## Connect the Navigation system and DVD player



① **RGB Cable (Included with Navigation)**

② **Power Supply Connector**

③ **RGB Input Terminal**

Connect this to the RGB output terminal of the Navigation System.

④ **AUX Video/Audio Input Terminal**

Connect the video/audio output lead of a DVD video player or DVD changer to this terminal.

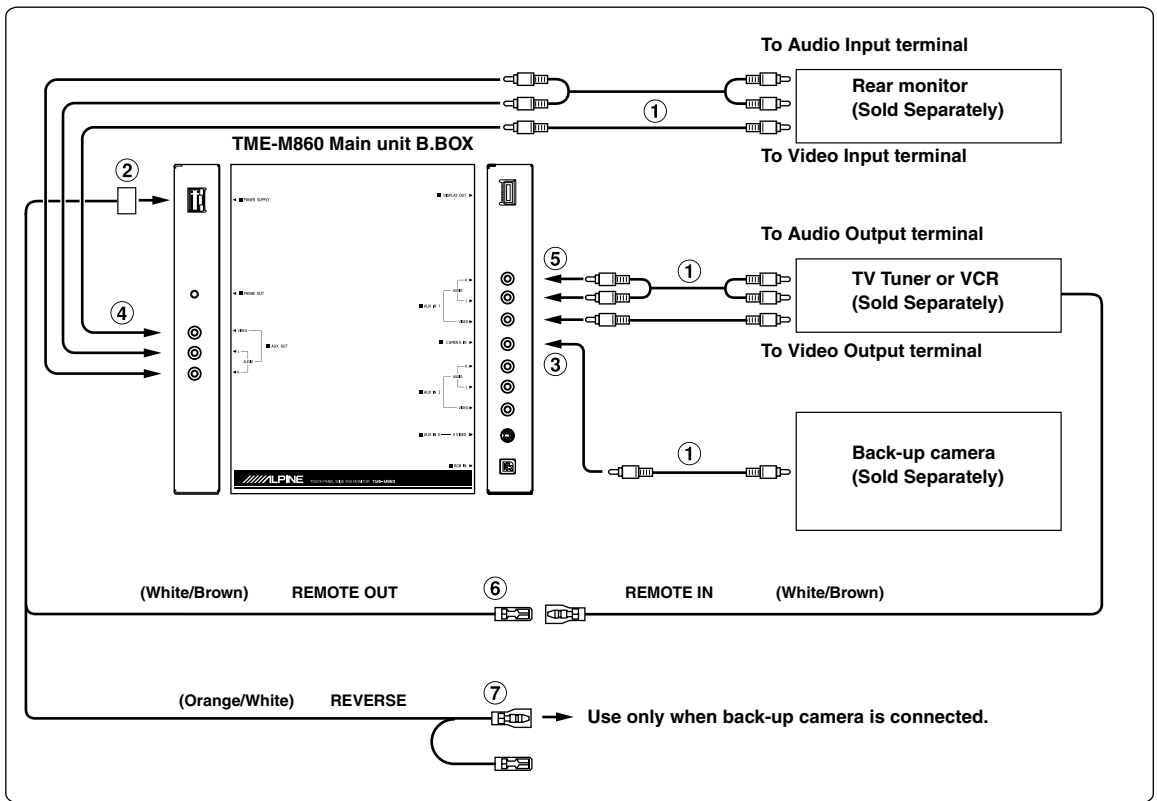
⑤ **RCA Extension Cable (Included with DVD video player)**

⑥ **RCA Extension Cable (Sold separately)**

⑦ **Remote Control Output Lead (White/Brown)**

Connect this lead to the remote control input lead. This lead outputs the controlling signals from the remote control.

## When Connecting External Equipment



① **RCA Extension Cable (Sold separately)**

② **Power Supply Connector**

③ **CAMERA Input Terminal**

Use when connecting a back-up camera.

④ **AUX Video/Audio Output Terminal**

Use when connecting an optional monitor etc.

⑤ **AUX Video/Audio Input Terminal**

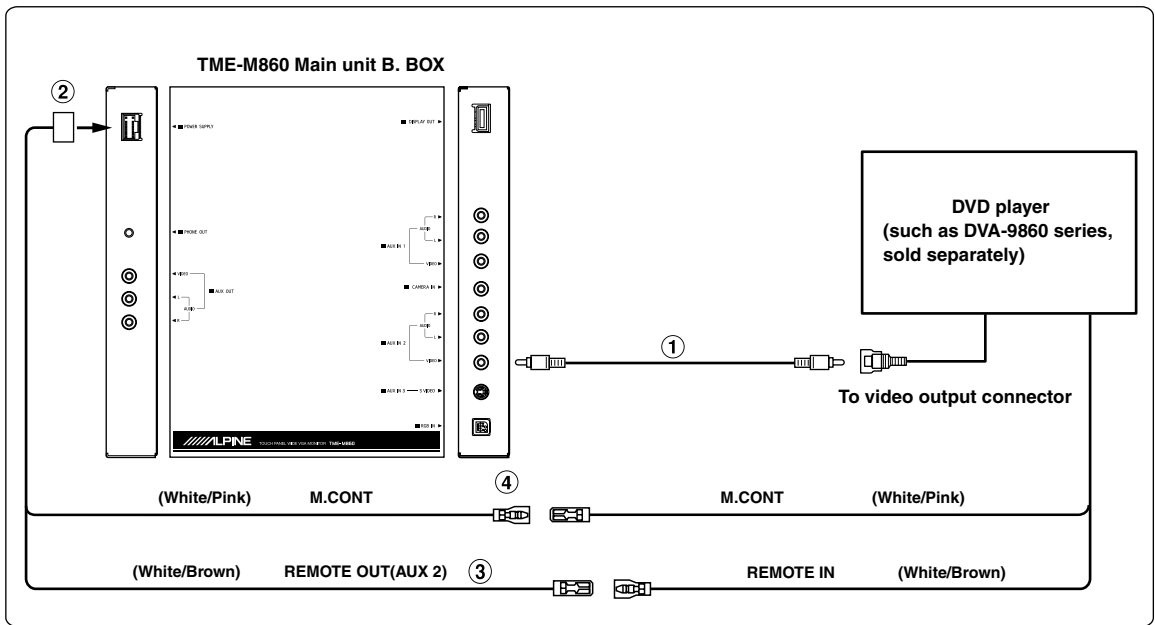
⑥ **Remote Control Output Lead (White/Brown)**

Connect this lead to the remote control input lead. This lead outputs the controlling signals from the remote control.

⑦ **Reverse Lead (Orange/White)**

Connect to the plus side of the car's reverse lamp which lights when the transmission is shifted into reverse (R). Switches the video picture to the back-up camera. This is linked to putting the car into reverse (R).

## Connect the DVD player



① **RCA Extension Cable (video)**

② **Power Supply Connector**

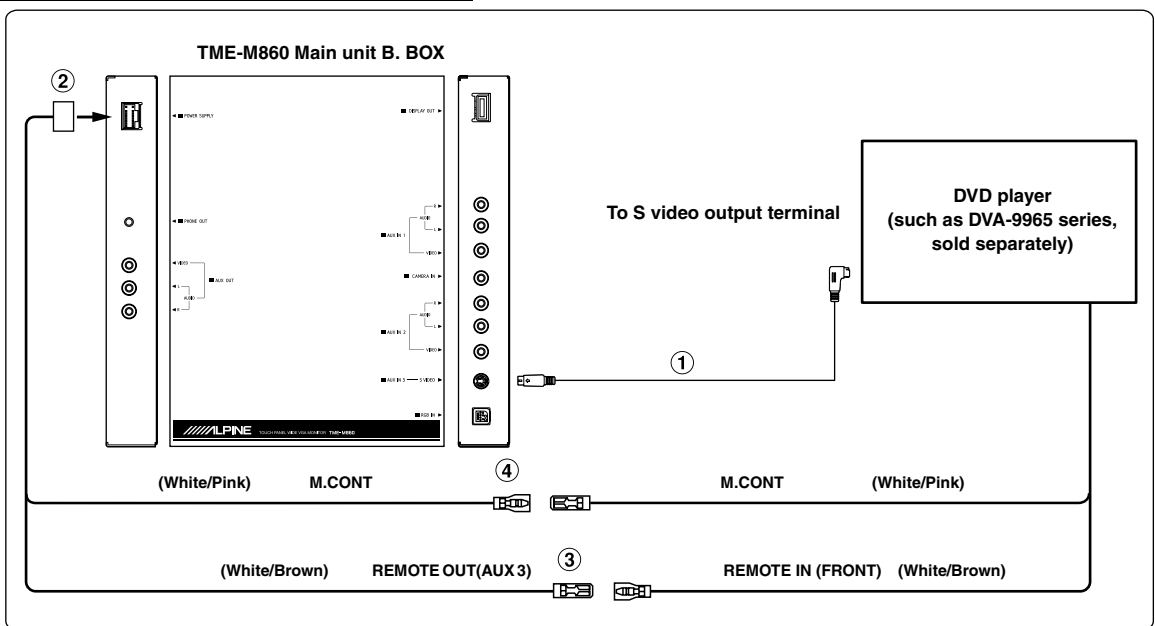
③ **Remote Control Output Lead (White/Brown)**

Connect this lead to the remote control input lead. This lead outputs the controlling signals from the remote control.

④ **Monitor Control Lead (White/Pink)**

Connect this to the Monitor Control Lead of the touch panel-compatible product.

## Connect the DVD player (to the S video terminal)



① **S-video cable (Included with DVD video player)**

② **Power Supply Connector**

③ **Remote Control Output Lead (White/Brown)**

Connect this lead to the remote control input lead. This lead outputs the controlling signals from the remote control.

④ **Monitor Control Lead (White/Pink)**

Connect this to the Monitor Control Lead of the touch panel-compatible product.